

Name : _____

Class : _____

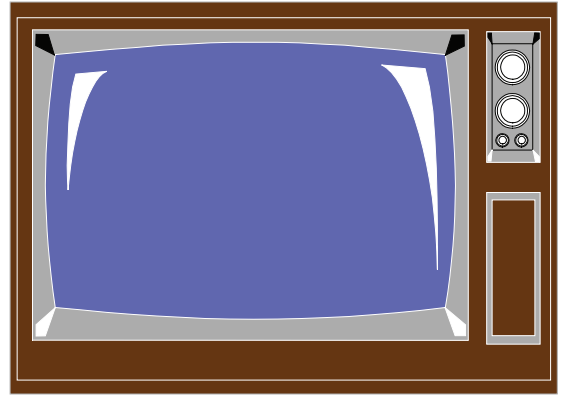
Identify and trace the name of the objects below.

1.



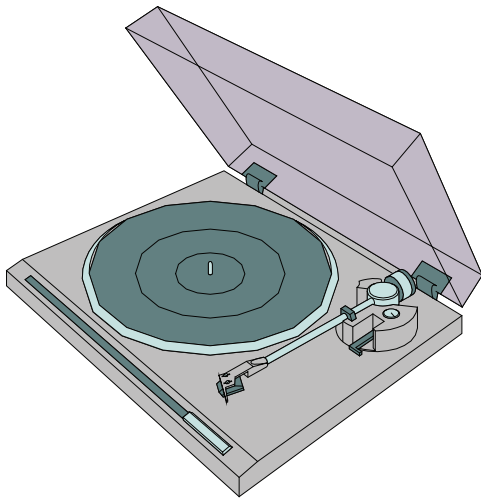
telescope

2.



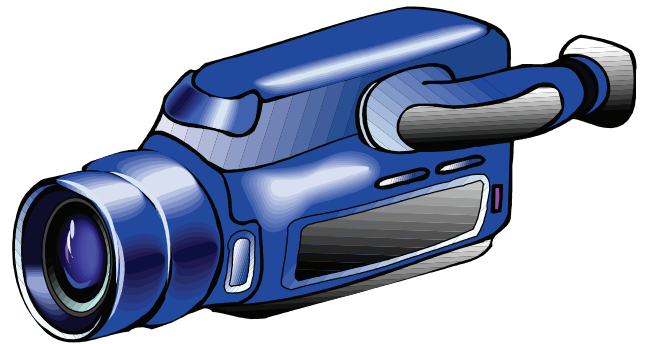
television

3.



turntable

4.



video
camera